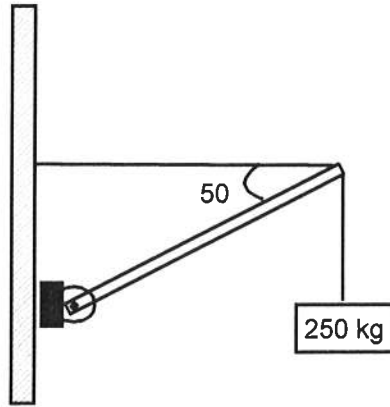


6. Tarleton engineering students have built the following structure using some physics stings, a 12.00 m long uniform beam of mass of 250 kg and a 250kg block. The beam is pinned to the wall as shown. A



- A. Draw complete free body diagrams for both the 250 kg block and the beam.

- B.** Find the tension in each string and the components of the force where the beam is pinned to the wall.