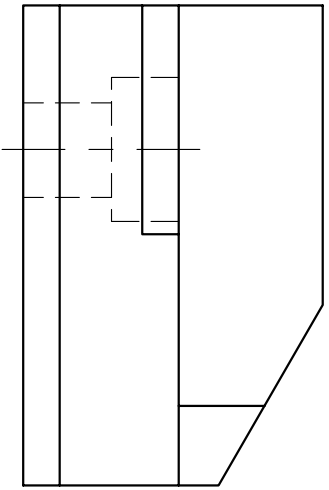
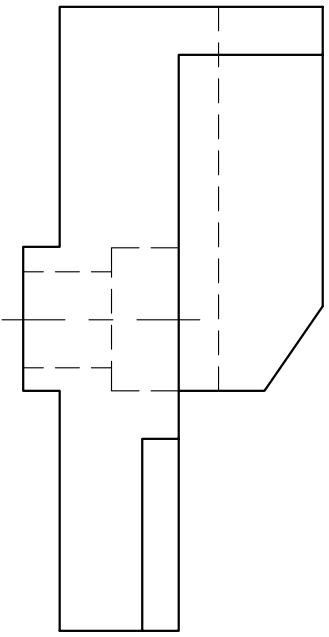
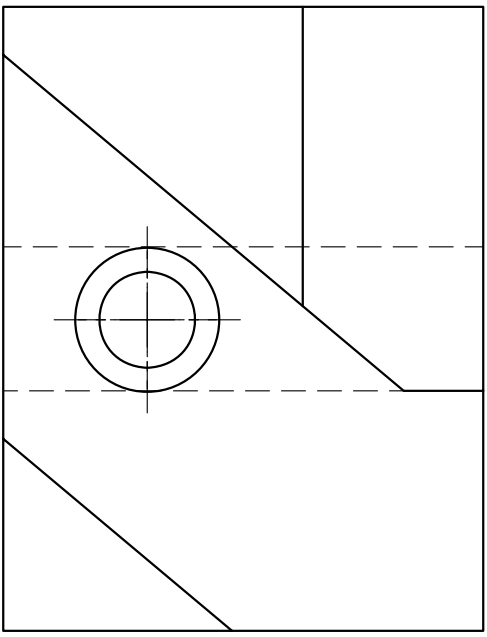


REVISIONS				
ZONE	REV	DESCRIPTION	DATE	APPROVED



BARKER		SIZE	FSCM NO.	DWG NO.	REV
		SCALE	SHEET		